

# Battery Powered Pendant Light

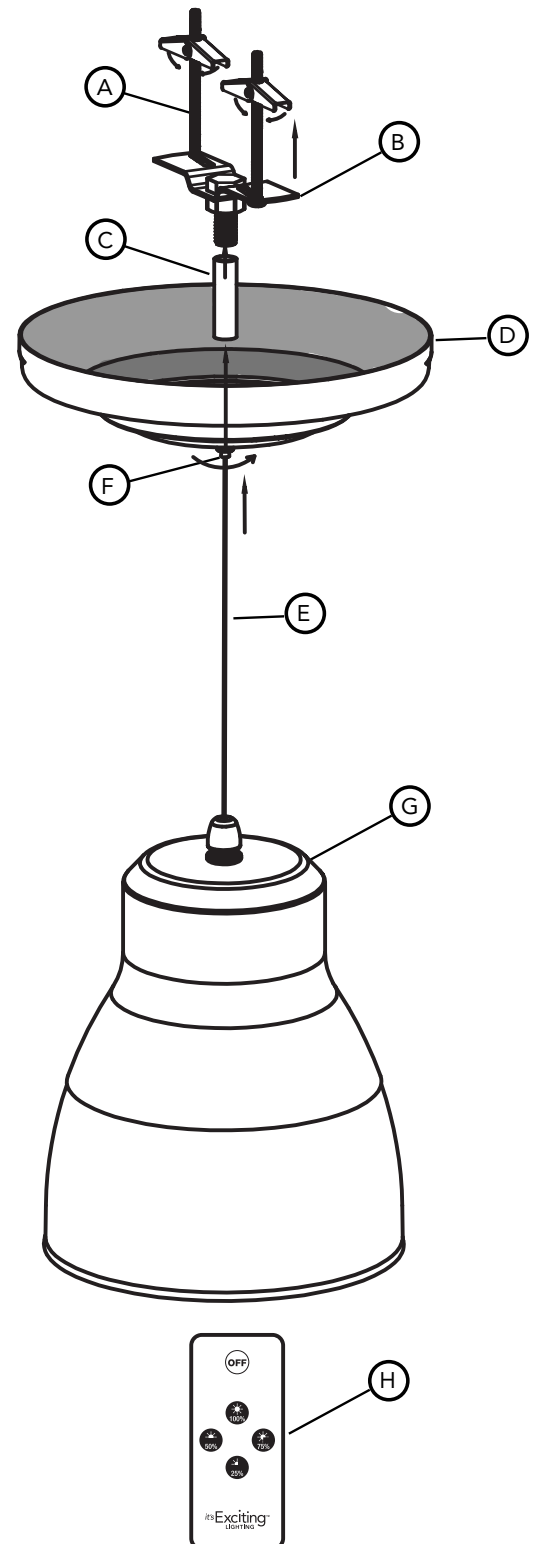


## Contents

- A - Toggle Bolt Set x 2
- B - Mounting Bracket x 1
- C - Adapter Stem x 1
- D - Ceiling Cover x 1
- E - Adjustable Steel Cord x 1
- F - Wire Clamping Screw x 1
- G - Pendant Shade (with LED Pod inside) x 1
- H - Remote Control

## INSTALLATION:

1. Determine suitable location in ceiling to mount product.
2. Mark the exact mounting location by using the mounting bracket holes as your guide. Mark the drill holes with a pen or nail for easy identification.
3. Using a 5/8" drill bit, drill two holes in the ceiling as marked.
4. Assemble the toggle bolts (A) to the mounting bracket (B)
5. Once assembled, push the toggle bolt wings (A) together. With the wings closed, push the toggle bolts through the hole drilled into the ceiling.
6. Using a screw driver, tighten the screws in the mounting bracket (A & B) until the bracket is secure against the ceiling.
7. Screw the Adapter Stem (C) onto the Mounting Bracket (B). Pay attention to the Adjustable Steel Cord (E) and ensure it stays inside the ceiling plate.
8. Hold the Ceiling Cover (D) flush against the ceiling and fix in place by screwing the Wire Clamping Screw (F) onto the Adapter Stem (C). Turn until the Ceiling Cover (D) is tight to the ceiling.
9. Once the unit is in place, you can adjust the length of the Steel Cord (E) as desired between 12" (shortest) or 42" (longest).
10. To make the length shorter, simply feed the Steel Cord up into the Ceiling Plate. Once set it will stay in place automatically.



Continued on back side.

It's Exciting Lighting is a Smart Living Home & Garden brand © 2017.1

Telephone: + 1 813 343 5775

Email: [customerservice@smartlivinghg.com](mailto:customerservice@smartlivinghg.com)

Web: [www.itsexcitinglighting.com](http://www.itsexcitinglighting.com)

Smart Living Home & Garden



# Battery Powered Pendant Light



## INSTALLATION (continued):

**11.** To make the length longer, push up on the metal tab at the bottom of the Clamping Screw (this locks the Steel Cord in place). While pushing the tab up, pull out the Steel Cord to the desired length. Release the tab and the Steel Cord will be locked into place at the current length.

**12.** To install the batteries, reach into the Pendant Shade (G) and press the snap tabs located on either side of the LED Pod. This will release the battery compartment. Install 3 x D size Alkaline batteries (not included)

**IMPORTANT:** pay careful attention to the polarity of the batteries and ensure they are inserted in the correct direction as shown on the battery cover illustration. Failure to install batteries in the correct direction may cause damage to the product.

**13.** Match the groove on the battery compartment to groove in the base of LED Pod inside the shade to ensure it is lined up and then slide the battery compartment back into the LED Pod until it locks in place.

## USE:

**1.** Press the unit On/Off switch located on the LED Pod inside the shade to turn the unit on and off.

**2.** This unit includes a remote control which can be used to turn the unit on/off or adjust the brightness (25%, 50%, 75%, 100%) when the unit On/Off switch on the unit is turn ON. If the unit On/Off switch on the LED Pod is set to OFF, the remote control will not work.

**3.** The remote control is powered by 1 x CR2025 Button Cell Battery (included).

**4.** This unit has a built in 4 hour timer with auto shut off to preserve battery life.

**\* Please note that when the unit On/Off switch on the LED Pod is in the ON position but the remote control was used to the turn off the light, the unit is actually in sleep mode. Sleep mode drains the battery at approximately 10% of what is used when illuminated.**

**To maximize battery life, always manually turn off the unit On/Off switch.**

## SAFETY:

**1.** This light is intended for indoor use only. Keep away from moisture and direct sunlight.

**2.** Do not disassemble the unit.

**3.** Do not mix batteries. To prevent equipment damage, and possible injury, never mix batteries with different chemistries or voltages in the equipment at the same time.

**4.** Consumed batteries need to be disposed of properly. Follow the instructions on the battery package. Battery selling retailers provide special containers for environmentally friendly disposal.

**5.** Remove batteries from unit for long term storage to prevent damage from battery leakage.

